



Available in stock  
for Special Alloy Ball Valves

# SPECIAL ALLOY VALVES

SS904L

MONEL

DUPLX

ALLOY 20

TITANIUM

HASTELLOY

SUPERDUPLX

1000 & 2000psi  
PN63 & PN140

Three Pieces Threaded Ball Valves 1/4" ~ 4"

1000 & 2000psi  
PN63 & PN140

Three Pieces Socket Welded Ball Valves 1/4" ~ 4"

1000 & 2000psi  
PN63 & PN140

Three Pieces Butt Welded Ball Valves 1/4" ~ 4"

1000 & 2000psi  
PN63 & PN140

Two Pieces Threaded Ball Valves 1/4" ~ 3"

ANSI Class 150/300  
EN1092 PN16/40

Two Pieces Flanged Ball Valves 1/2" ~ 12"

ANSI Class 150 Three Pieces Flanged Ball Valves 1/2" ~ 4"



ATEX II 2GD



0038



Certificate: 0038/PED/SHA/6013557/A



Certificate: 17N6013557



BUREAU VERITAS



CRN CERTIFICATED



# 2000PSI / PN140

## Three Pieces Full Bore Ball Valve

Threaded / Socket Weld / Butt Weld End

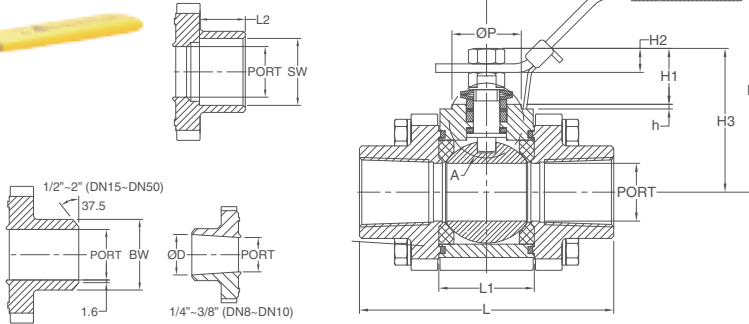
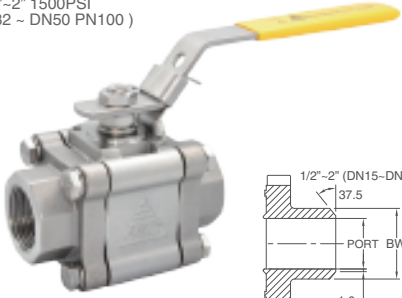
### V255FS / V655 Series

## V255FS 2000PSI/PN140 Three Pieces Full Bore Ball Valve • TH/SW/BW

SIZE : 1/4" ~ 2" ( DN8 ~ DN50 )

1/4"~1" 2000PSI  
( DN8 ~ DN25 PN140 )

1-1/4"~2" 1500PSI  
( DN32 ~ DN50 PN100 )



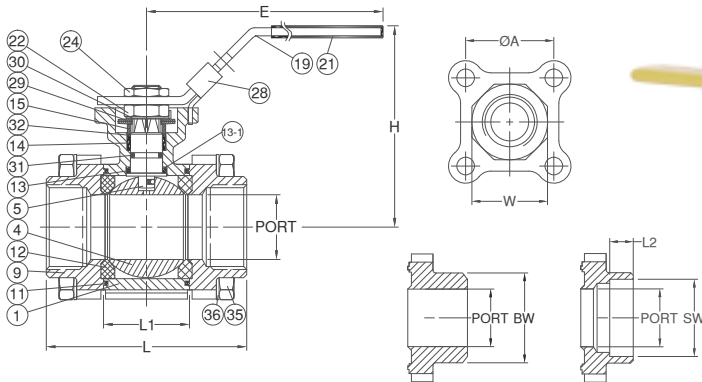
### ISO 5211 DIRECT MOUNTING FLANGE

## V655

SIZE : 1/4" ~ 2" ( DN8 ~ DN50 )

1/4"~1" 2000PSI  
( DN8 ~ DN25 PN140 )

1-1/4"~2" 1500PSI  
( DN32 ~ DN50 PN100 )



### FEATURES

- Investment Casting Construction
- Full Bore / Blow-Out-Proof Stem Design
- 3-Pieces Body Design with 8 Bolts
- ISO 5211 ( Direct ) Mounting Flange for Pneumatic or Electric Actuator
- ABS Type Approval for Marine, Offshore Platform, and Industrial Applications - Water, Oil, and Air
- NACE MR0175 is available upon request
- 2000PSI for 1/4" ~ 1" / 1500PSI for 1-1/4" ~ 2"  
PN140 for DN8~DN25 / PN100 for DN32 ~ DN50



### Standard

- Design ANSI B16.34 Class 600 / API 608
- Threaded End NPT/ BS 21( BSP ) / BSPT / ISO 228-1 / DIN 2999 / ISO 7-1Rp
- Socket ASME/ANSI B16.11
- Butt Weld End ASME/ANSI B16.25
- Material ASTM / EN1503-1
- Pressure Testing API 598 / EN12266

### Available Materials

- Alloy 20 ASTM A351 GR.CN7M
- Hastelloy C276 ASTM A494 GR.CW12MW
- Duplex ASTM A890/995 GR.CD3MN
- Super Duplex ASTM A890/995 GR.CE3MN
- Monel 400 ASTM A494 GR.M-35-1
- SS904L Casting / ANSI SS904L

ALLOY 20

HASTELLOY

MONEL

DUPLEX

SUPER DUPLEX

SS904L

## V255FS / V655

### APPROVED

API 607 6<sup>TH</sup> Edition

ISO 10497

ABS Type Approval

ISO 9001

PED 2014/68/EU Mo. H

CRN Registration

### DESIGN

ANSI B16.34 Class 600

API 608

NPT / BS 21(BSP) /

BSPT / ISO 228-1 /

DIN 2999 / ISO 7-1 Rp

SW - ANSI B16.11

BW - ANSI B16.25

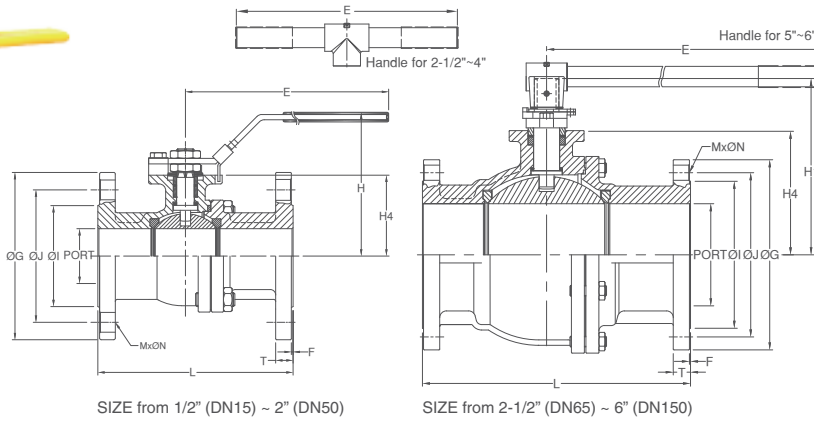
ISO 5211



# ANSI Class 150/300 PN16 / PN40 Two Pieces Flanged Ball Valve MD32/MD82 Series

## MD-32 1/2"~6" ANSI Class 150/300 / PN16 / PN40 Two Pieces Flanged Ball Valve

ANSI Class 150 / ANSI Class 300  
PN16 / PN40



### FEATURES

- Investment Casting Construction
- Full Bore
- Blow-Out-Proof Stem Design
- 2-Pieces Body Design
- ISO 5211 Mounting Flange for Pneumatic or Electric Actuator
- NACE MR0175 is available
- ASME/ANSI Class 150 / 300 EN1092-1 PN16 / PN40

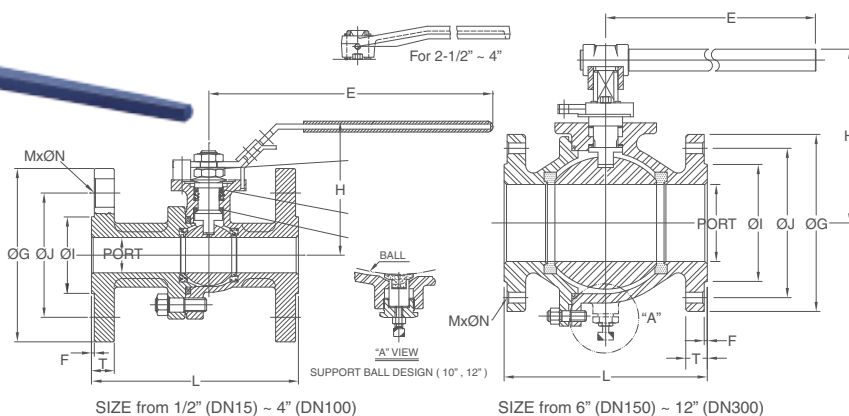


### Available Materials

- |                  |                        |
|------------------|------------------------|
| • Alloy 20       | ASTM A351 GR.CN7M      |
| • Hastelloy C276 | ASTM A494 GR.CW12MW    |
| • Duplex         | ASTM A890/995 GR.CD3MN |
| • Super Duplex   | ASTM A890/995 GR.CE3MN |
| • Monel 400      | ASTM A494 GR.M-35-1    |
| • SS904L         | Casting / ANSI SS904L  |

## MD-82 1/2"~12" ANSI Class 150/300 Two Pieces Flanged Ball Valve

ANSI Class 150 / ANSI Class 300  
PN16 / PN40



### FEATURES

- Investment Casting Construction
- Full Bore
- Blow-Out-Proof Stem Design
- 2-Pieces Body Design
- ISO 5211 Mounting Flange for Pneumatic or Electric Actuator
- ABS Type Approval for Marine, Offshore Platform, and Industrial Applications - Water, Oil, and Air
- NACE MR0175 is available
- ASME/ANSI Class 150 / 300



### Available Materials

- |                  |                        |
|------------------|------------------------|
| • Alloy 20       | ASTM A351 GR.CN7M      |
| • Hastelloy C276 | ASTM A494 GR.CW12MW    |
| • Duplex         | ASTM A890/995 GR.CD3MN |
| • Super Duplex   | ASTM A890/995 GR.CE3MN |
| • Monel 400      | ASTM A494 GR.M-35-1    |
| • SS904L         | Casting / ANSI SS904L  |

ALLOY 20  
HASTELLOY  
MONEL  
DUPLEX  
SUPER DUPLEX  
SS904L

## MD-32/MD82

### APPROVED

API 607 6<sup>TH</sup> Edition

ISO 10497

ABS Type Approval

TA-LUFT

ISO15848

ISO 9001

PED 2014/68/EU Mo. H

CRN Registration

### DESIGN

ANSI B16.34

API 608

Face to Face :

ANSI B16.10 / EN1092-1

Flange Dimension :

ANSI B16.5 / DIN 3202

ISO 5211



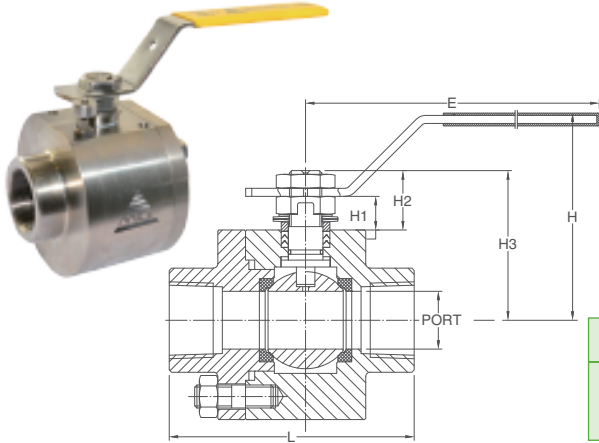


# TITANIUM

**Two Pieces Flanged Ball Valve**  
**Two Pieces Threaded Ball Valve**  
**Three Pieces Threaded Ball Valve**  
**ANSI Class 150 / 1000PSI**

## V-C06 Full Bar Machined 1000PSI Two Pieces Full Bore Ball Valve

SIZE : 1/4" ~ 3"  
 1/4"~3" 1000PSI



### DESIGN FEATURES

- Machined by Bar Material
- Valve Design as per ANSI B16.34
- 2-Pieces Body Design, Full Bore
- Blow-Out-Proof Stem Design
- End Connection :  
 NPT / BS21(BSP) / BSPT /  
 ISO 228-1 / DIN2999 / ISO 7-1Rp
- NACE MR0175 is available

### Available Materials

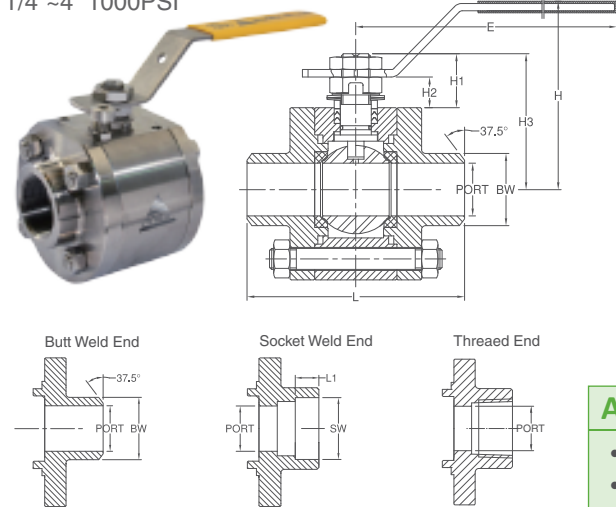
- Titanium ASTM B381 GR.F2
- Titanium ASTM B381 GR.F5

**TITANIUM**  
**GR.F2**

**TITANIUM**  
**GR.F5**

## V-C05 Full Bar Machined 1000PSI Three Pieces Full Bore Ball Valve

SIZE : 1/4" ~ 4"  
 1/4"~4" 1000PSI



### DESIGN FEATURES

- Machined by Bar Material
- Valve Design as per ANSI B16.34
- 3-Pieces Body Design, Full Bore
- Blow-Out-Proof Stem Design
- End Connection :  
 NPT / BS21(BSP) / BSPT /  
 ISO 228-1 / DIN2999 / ISO 7-1Rp /
- ANSI B16.11 / ANSI B16.25
- NACE MR0175 is available

### Available Materials

- Titanium ASTM B381 GR.F2
- Titanium ASTM B381 GR.F5

**V-C06**  
**V-C05**  
**MD-C2**

### APPROVED

ISO 9001  
 PED 2014/68/EU Mo. H  
 CRN Registration

### DESIGN

#### Threaded & Welded End

ANSI B16.34  
 NPT / BS 21(BSP)  
 / BSPT / ISO 228-1  
 / DIN 2999 / ISO 7-1 Rp

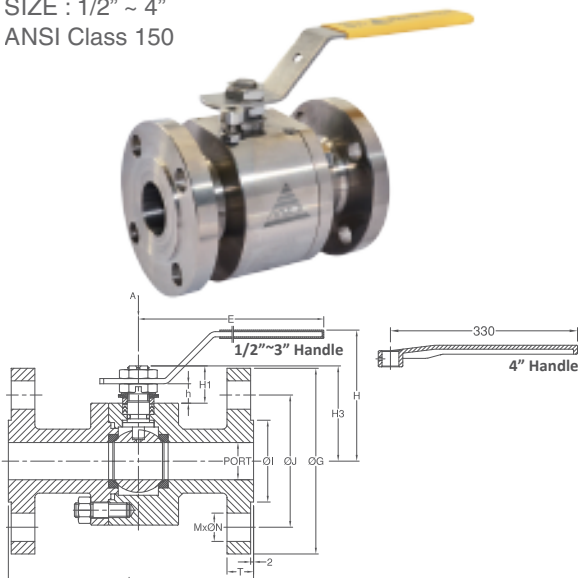
SW - ANSI B16.11  
 BW - ANSI B16.25  
 ISO 5211

#### Flanged End

Flange Face to Face :  
 ANSI B16.10  
 Flange Dimension :  
 ANSI B16.5  
 ISO 5211

## MD-C2 Full Bar Machined ANSI Class150 Two Pieces Flanged Ball Valve

SIZE : 1/2" ~ 4"  
 ANSI Class 150



### DESIGN FEATURES

- Machined by Bar Material
- Valve Design as per ANSI B16.34
- 2-Pieces Body Design, Full Bore
- Blow-Out-Proof Stem Design
- Flange Face to Face :  
 ANSI B16.10 Class 150/300 RF
- Flange Dimension :  
 ANSI B16.5 Class 150/300
- NACE MR0175 is available

### Available Materials

- Titanium ASTM B381 GR.F2
- Titanium ASTM B381 GR.F5





# SPECIAL ALLOY MATERIAL LIST [www.modentic.com.tw](http://www.modentic.com.tw)

Alloy20 / Hastelloy / Duplex / Monel / Titanium / Super Duplex / SS904L

• Other Alloy Materials can be offered upon request •

## Material Chart

Material Code	Elements Content (%)	Casting		
		ASTM	DIN	UNS
<b>Austenitic Stainless Steel</b>				
<b>General</b>				
SS304	19Cr-9Ni	CF8	1.4308	J92600
SS304L	19Cr-9Ni-C<0.03%	CF3	1.4306	J92500
SS347	19Cr-10Ni-Nb	CF8C	1.4552	J92710
<b>Specific</b>				
SS316	19Cr-10Ni-2.5Mo	CF8M	1.4408	J92900
SS316L	19Cr-10Ni-2.5Mo-C<0.03%	CF3M	1.4404	J92800
SS317	19Cr-11Ni-3.5Mo	CG8M	1.4437	J93000
SS317L	19Cr-11Ni-3.5Mo-C<0.03%	CG3M	1.4438	J92999
<b>Super Austenitic Stainless Steel</b>				
904L	21Cr-25Ni-4.5Mo-1.5Cu-N	-	1.4539	-
254 SMO	20Cr-18Ni-6.5Mo-Cu-N	A351 CK3MCuN	1.4547	J93254
<b>Highly Corrosion-Resistant Alloy</b>				
<b>Austenitic Stainless Steel ( Iron base )</b>				
Alloy 20	29Ni-20Cr-3.5Cu-2.5Mo	A351 CN7M	2.4660	J95150
<b>Ni-Mo Alloy</b>				
Hastelloy B	28Mo-5Fe-V	A494 N-12MV	2.4882	N30012
Hastelloy B2	28Mo-1Fe	A494 N-7M	2.4617	N30007
<b>Ni-Cr-Mo Alloy</b>				
Hastelloy C276	16Cr-17Mo-6Fe-4W-V	A494 CW12MW	2.4686	N30002
Hastelloy C22	21Cr-13.5Mo-4Fe-3W	A494 CX2MW	2.4602	N26022
<b>Ni-Cu Alloy</b>				
Monel 400	65Ni-32Cu	A494 M-35-1	2.4365	N24135
<b>Nickel</b>				
Nickel CZ100	97Ni	A494 CZ-100	2.4066	N02100
<b>Titanium</b>				
Grade 2	99Ti	B367 C2		
Grade 5	6Al-4V	B367 C5		
<b>High Temperature Alloy ( Nickel base)</b>				
Inconel 600	15Cr-8Fe	A494 CY-40	2.4816	N06040
Inconel 625	22Cr-9Mo-3.5Nb-2.5Fe	A494 CW6MC	2.4856	N26625
<b>Duplex Stainless Steel</b>				
1A	25Cr-5Ni-2Mo-3Cu	A995 Gr.CD4MCu	1.4517	J93370
1B	25Cr-5Ni-2Mo-3Cu-N	A995 Gr.CD4MCuN		J93372
2A	24Cr-10Ni-3.5Mo-N	A995 Gr.CE8MN		J93345
2205/4A	22Cr-5Ni-3Mo-N	A995 Gr.CD3MN	1.4470	J92205
<b>Super Duplex Stainless Steel</b>				
2507/5A	25Cr-7Ni-4Mo-N	A890/A995 Gr.CE3MN	1.4469	J93404
Z100/6A	25Cr-7Ni-3.5Mo-Cu-N-W	A890/A995 Gr.CD3MWCuN	1.4471	J93380
329	25Cr-4Ni-Mo		1.4460	



For more information, please contact [md\\_sales@ms.modentic.com.tw](mailto:md_sales@ms.modentic.com.tw)

## PRODUCT RANGE

- API 607 FIRE SAFE APPROVED BALL VALVE
- FUGITIVE EMISSION APPROVED BALL VALVE
- SPECIAL ALLOY VALVE
- HIGH PURITY BALL VALVE
- SOFT SEAT BALL VALVE
- AUTOMATION VALVE
- METAL SEATED BALL VALVE
- TRUNNION BALL VALVE
- HIGH PRESSURE BALL VALVE
- BUTTERFLY VALVE

### **KEVIN STEEL CORPORATION**

#### **Main Office :**

14F-3, No.89, Sec. 1, Zhongqing Rd.,  
North Dist., Taichung City 40458, Taiwan  
TEL : + 886-4-22071786 FAX : + 886-4-22071696

#### **Factory :**

No.9, Wugong 6th Rd.,  
Wufeng Dist., Taichung City 41353, Taiwan  
TEL : + 886-4-23317777 FAX : + 886-4-23317032

E-Mail : [md\\_sales@ms.modentic.com.tw](mailto:md_sales@ms.modentic.com.tw)

<http://www.kevinsteel.com.tw>

<http://www.valvebus.com>

<http://www.modentic.com.tw>